



Nest Box Construction Plans

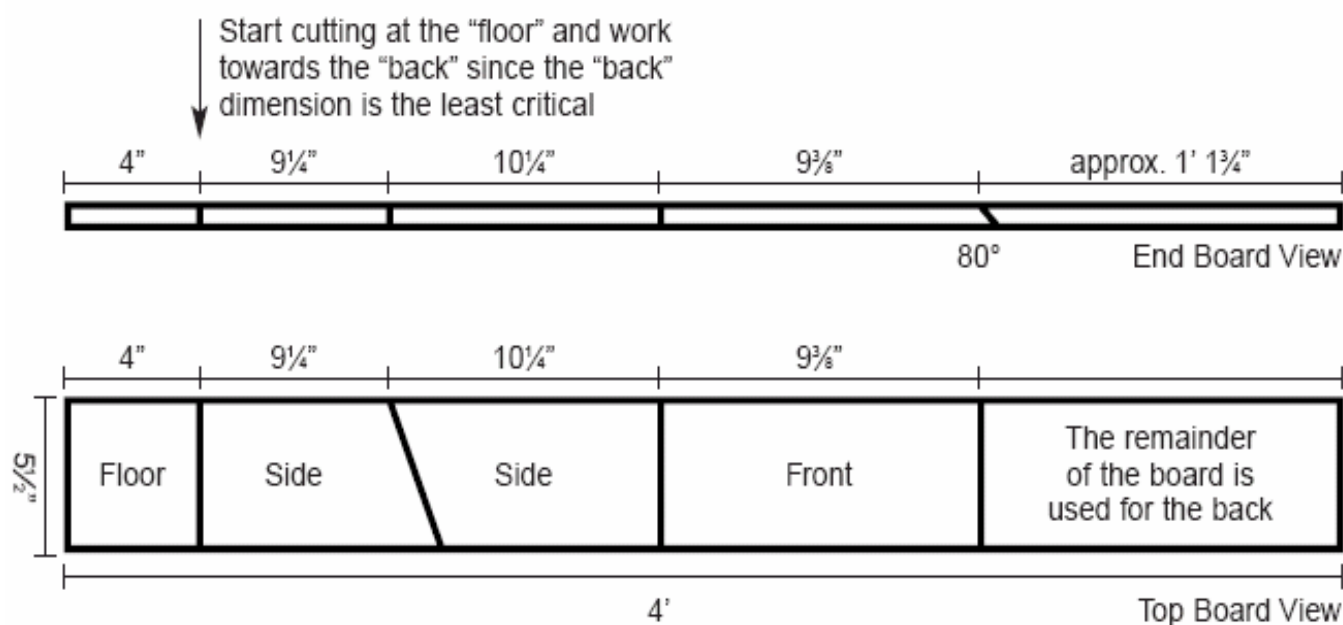
Putting up nest boxes is an easy and economical way to increase bird nesting success, help balance loss of natural habitat, and take an active role in conservation and enhancement of the environment.

Source: *North American Bluebird Society*, www.nabluebirdsociety.org

Materials List

- Standard Board 1" x 6" x 4' long
- Standard Board 1" x 10" x 10 1/2" long (for roof)
- 1 3/4" galvanized nails or screws—approx. 20
- 1 3/4" galvanized screw or nail for pivot point—2
- Double-headed Nail for holding door closed—1

BOARD DIAGRAM



CONSTRUCTION PLAN

